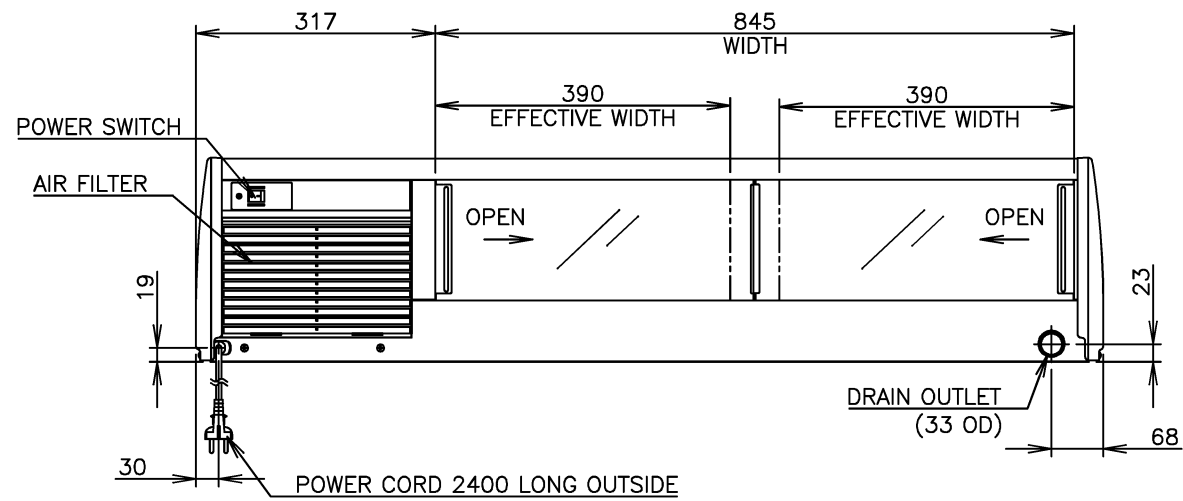
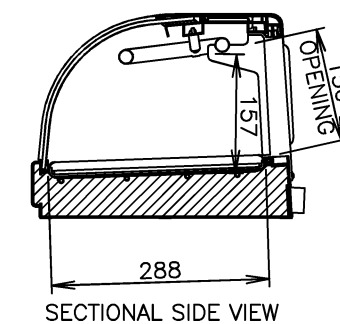
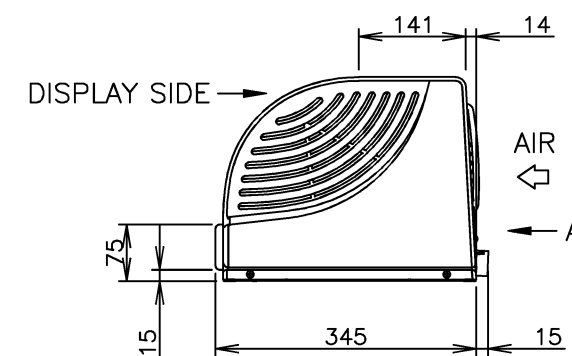
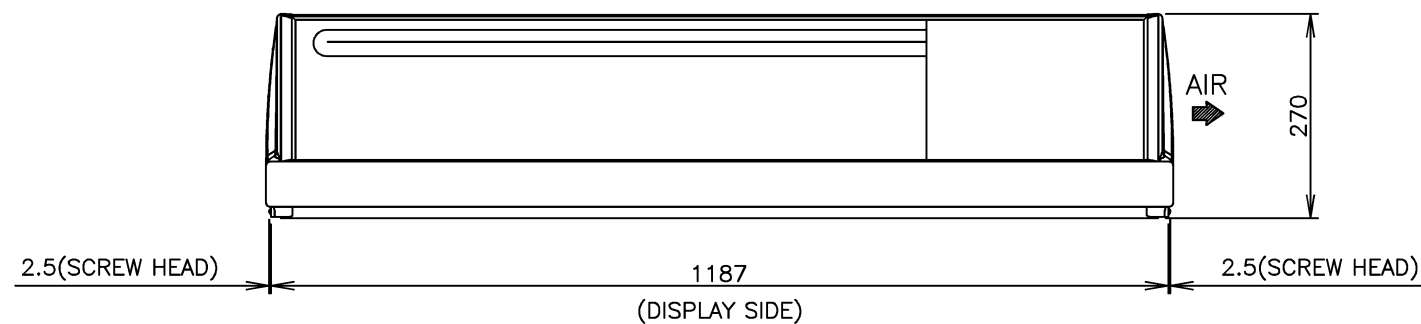
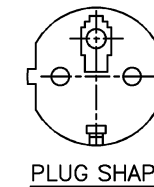
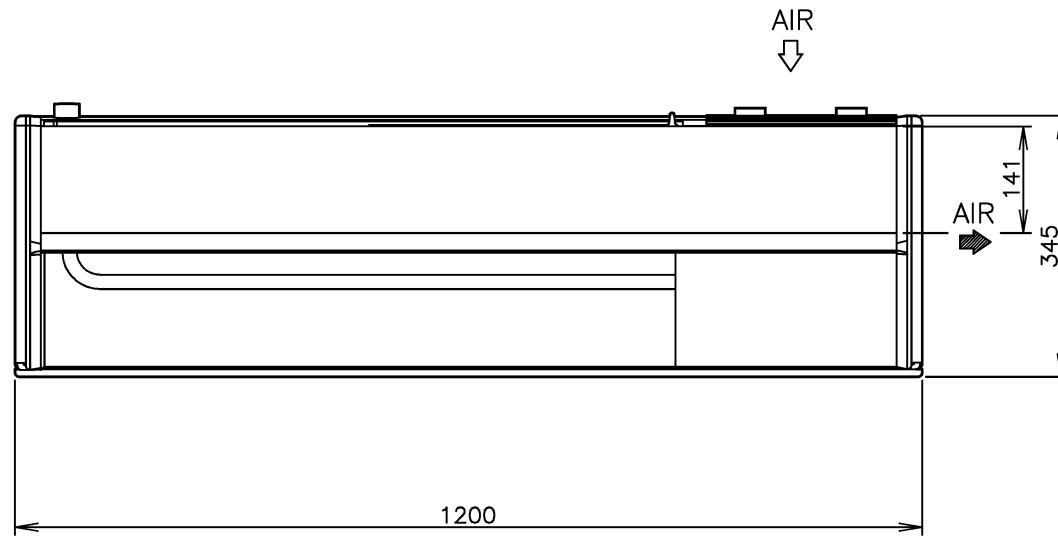


- Relative humidity exceeding 60% may result in excessive condensation on the exterior.
- The food temperature is controllable by turning over the food mounts.
- Product Code: S052-C175



VIEW A(REAR)



| | | |
|--------------------------------|---|---|
| ITEM | Hoshizaki Counter Showcase | |
| MODEL | HNC-120BE-R-BH | |
| POWER SUPPLY | 1 Phase 220-240V 50Hz Capacity: 0.39kVA (1.63A) | |
| AMPERAGE | Rated: 1.0A Starting: 6A | |
| ELECTRIC CONSUMPTION | 140W (Power Factor: 58%) | |
| HEAT REJECTION | 410W | |
| PULL DOWN TIME (10°C) | Approx. 30min. (Ambient Temp. 30°C, No Load) | Measured 20 mm above the food mount (normal position) located at the interior bottom center |
| SATURATION TEMPERATURE | Approx. 5°C (Ambient Temp. 30°C, No Load) | |
| POWER CORD | 2.4m | |
| EFFECTIVE CAPACITY | 42L | |
| OUTSIDE DIMENSIONS | 1200mm(W) × 345mm(D) × 270mm(H) | |
| INSIDE DIMENSIONS | 845mm(W) × 288mm(D)[Floor] × 157mm(H) | |
| EXTERIOR | Clear Glass, ABS Plastic, PVC Plastic | |
| INTERIOR | Clear Glass, ABS Plastic, Stainless Steel | |
| INSULATION | Polyurethane Foam | |
| INSULATION FOAM BLOWING AGENT | HFO-1233zd(E) | |
| DOOR | Sliding Glass × 2 [431mm(W) × 172mm(H)] | |
| REFRIGERATION SYSTEM | Convection Cooling | |
| DEFROST SYSTEM | N/A | |
| COMPRESSOR | Hermetic 110W | |
| CONDENSER | Fin and Tube type, Cooling Fan Motor provided | |
| EVAPORATOR | (Upper) Tube Type, (Lower) Pipe on Sheet Type | |
| REFRIGERANT | R600a/32g | |
| ELECTRIC CIRCUIT PROTECTION | Earth Leakage Circuit Breaker (with Overcurrent Protector) 15A Earth Wire | |
| REFRIGERANT CIRCUIT PROTECTION | Motor Protector | |
| LIGHTING | N/A | |
| WEIGHT | 32kg (Gross: 44kg) | |
| PACKAGE | Carton (Wooden Pallet) 1280mm(W) × 415mm(D) × 517mm(H) | |
| ACCESSORIES | Food Mount × 3, Joint × 1, Drain Hose × 1 | |
| OPERATING CONDITIONS | Ambient Temperature: 10 - 30°C Voltage Range: Rated Voltage ±6% | |

*We reserve the right to make changes in specifications and design without prior notice.

- Install the product properly in accordance with the instructions on location, water supply/drain connections and electrical connections stated in the instruction manual provided. Allow 10mm extra space at the installation site to meet any installation requirements (additional spacing is also required for proper air flow and pipe connections).

HOSHIZAKI COUNTER SHOWCASE HNC-120BE-R-BH

| | | | | | |
|----------------------|-------------------|----------------------|---------------|--------------------|-----------------------|
| APPROVED YAMASAKI | CHECKED YORITA | DESIGNED HIROSAWA | DRAWN UEDA | SCALE 1/10 | TRIGONOMETRY |
| * | * | △ | **** | DATE 2021.02.26 | DRAWING NO. D30032 |
| APPROVED | DESIGNED | SYMBOL | DATE | | SYMBOL △ |