



Electrolux
PROFESSIONAL

**Modular Cooking Range Line
thermaline 90 - 600mm Passthrough
Warming Cabinet, 2 doors, GN conform,
2 Sides(H2) - H=450**

ITEM # _____

MODEL # _____

NAME # _____

SIS # _____

AIA # _____



589484 (MC4JCCFOAO)

Passthrough electric
Warming Cabinet, with 2
doors, two-side operated,
GN - H2

Short Form Specification

Item No. _____

600 mm wide passthrough warming cabinet with 2 doors. Internal frame for heavy duty sturdiness in stainless steel. Flat surface construction, easily cleanable. Temperature in the cabinet can be set through thermostat, up to a maximum of 110 ° C. Cabinet storage space accepts GN 1/1 containers. IPX5 water resistant certification. Configuration: Two-side operated freestanding base, hygienic class H2.

Main Features

- All major components may be easily accessed from the front.
- THERMODUL connection system creates a seamless work top when units are connected to each other thus avoiding soil penetrating vital components and facilitating the removal of units in case of replacement or service.
- Unit constructed according to DIN 18860_2 with 70 mm recessed plinth.
- Temperature in the cupboard can be set through a thermostat to suit different requirements. The maximum temperature is 110°C.
- Unit can be installed below modular top appliances, designed to keep plates warm.

Construction

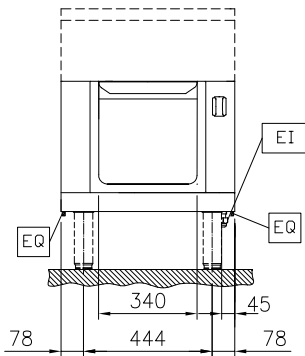
- IPX5 water resistance certification.
- 2 mm top in 1.4301 (AISI 304).
- Flat surface construction with minimal hidden areas to easily clean all surfaces
- Storage space in the base of the appliance accepts GN1/1 containers.
- Internal frame for heavy duty sturdiness in stainless steel.

APPROVAL: _____

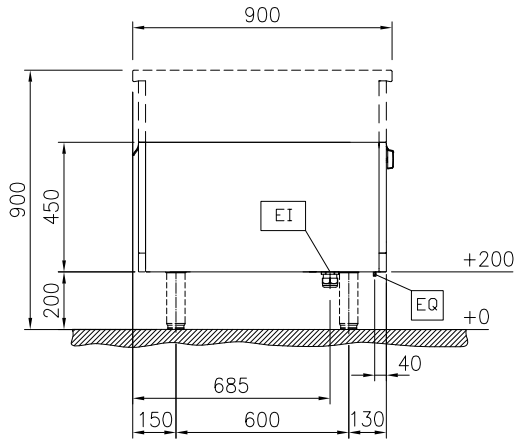


Experience the Excellence
www.electroluxprofessional.com

Front

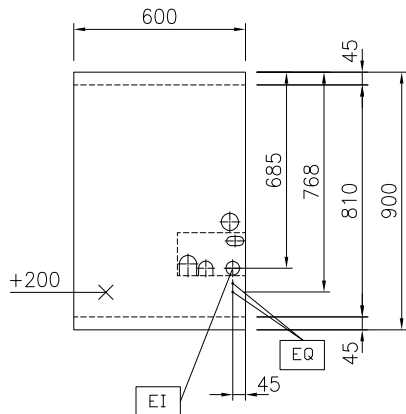


Side



EI = Electrical inlet (power)

Top


Key Information:

External dimensions, Width:	600 mm
External dimensions, Depth:	900 mm
External dimensions, Height:	450 mm
Cupboard Cavity Dimensions (width):	340 mm
Cupboard Cavity Dimensions (height):	330 mm
Cupboard Cavity Dimensions (depth):	810 mm
Cabinet temperature range:	30-110 °C
Net weight:	28 kg

Sustainability
Current consumption:

589484 (MC4JCCFOAO) 2.5 Amps

Optional Accessories

- Stainless steel side panel, 900x700mm, freestanding PNC 912512
- Stainless steel front kicking strip, 600mm width PNC 912632
- Stainless steel side kicking strip left and right, freestanding, 900mm width PNC 912657
- Stainless steel plinth, freestanding, 600mm width PNC 912956
- Perforated shelf for warming cabinets and cupboard bases (two-side operated for TL90) PNC 913236
- Energy optimizer kit 14A - factory fitted PNC 913244
- Side reinforced panel only in combination with side shelf, for freestanding units PNC 913260
- Shelf fixation for TL90 two-side operated PNC 913280
- Stainless steel dividing panel, 900x700mm, (it should only be used between Electrolux Professional thermaline Modular 90 and thermaline C90) PNC 913672
- Stainless steel side panel, 900x700mm, flush-fitting (it should only be used against the wall, against a niche and in between Electrolux Professional thermaline and ProThermetic appliances and external appliances - provided that these have at least the same dimensions) PNC 913688