

Flexi System

Ambient unit, 3GN, beechwood finish

ITEM # _____

MODEL # _____

NAME # _____

SIS # _____

AIA # _____


321001 (FSLI1N3)

 Ambient unit, 3GN,
 beechwood finish

Short Form Specification

Item No. _____

304 AISI stainless steel worktop with rounded edges. Side panels in beech wood finishing. Ambient cupboard with doors in beech wood finishing on operator side. Tray slides in 304 AISI stainless steel, mounted on both sides of the unit, fold down in order to facilitate passage of the unit through doorways. The unit is mounted on 4 wheels (150mm high).

Main Features

- Optional tilting plinth can be installed to cover the feet or the wheels.
- Panels and hinged doors on the operator side, for quick, easy and hygienic storage, and have a beech wood finish.
- The two tray slides are constructed in plain 304 AISI stainless steel and can be folded down to facilitate passage of the units through doorways.

Construction

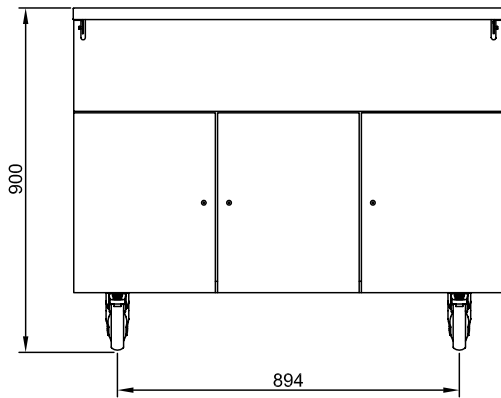
- 304 AISI stainless steel top with rounded edges.
- Unit mounted on four wheels, 150 mm in height (two with brakes), but can be mounted on 150 mm high feet (as special).

Optional Accessories

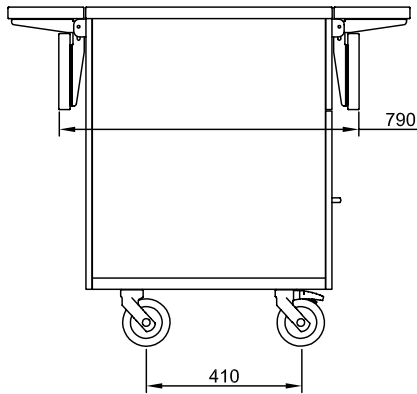
- Kit plinth for wheels, 3GN PNC 852006
- OVER STRUCTURE WITH LED LIGHT1125MM PNC 852023
- OVER STRUCTURE WITH HOT LIGHT 1125MM PNC 852027
- ELECTRIZATION FOR NEUTRAL UNITS PNC 852029
- ELECTRICAL SOCKET FOR 2 PLUGS PNC 852031
- OVER HEAD POWER SUPPLY PNC 852032
- OVER HEAD POWER SUPPLY W/ ADJ.STAND PIPE PNC 852034
- TRAY SLIDE GABLE 1060X200 PNC 852042
- CUTTING BOARD-BREAD 520X320MM W/SS TRAY PNC 852052
- BREAD-BASKET OVER SHEL LED LIGHT 1125MM PNC 852057
- CUTTING BOARD-BREAD W/ REMOV.WOOD TRAY PNC 852059
- ADJUSTABLE LEG, MARINE PNC 852064
- S/S TRAY SLIDER 1125MM-WIDTH 200-270MM PNC 852069
- OTHER LAMINATE COLOURS FOR UNITS 1125MM PNC 852134

APPROVAL: _____

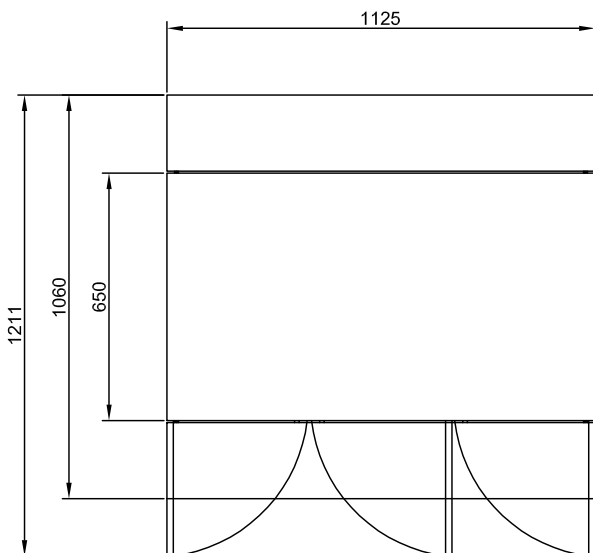
Front



Side



Top



Key Information:

External dimensions, Width:	
321001 (FSL11N3)	1125 mm
External dimensions, Depth:	1060 mm
External dimensions, Height:	900 mm
Net weight:	50 kg