

SCHUKO PLUG TYPE "F" 16A 250V
1,5 mt CORD LENGHT

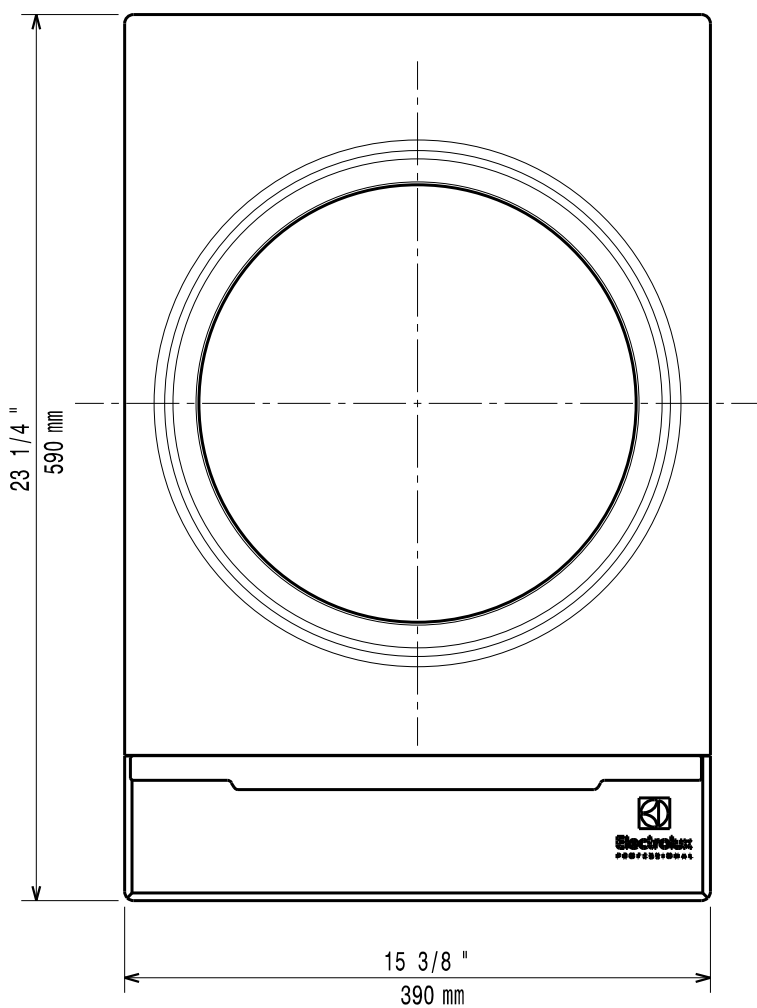
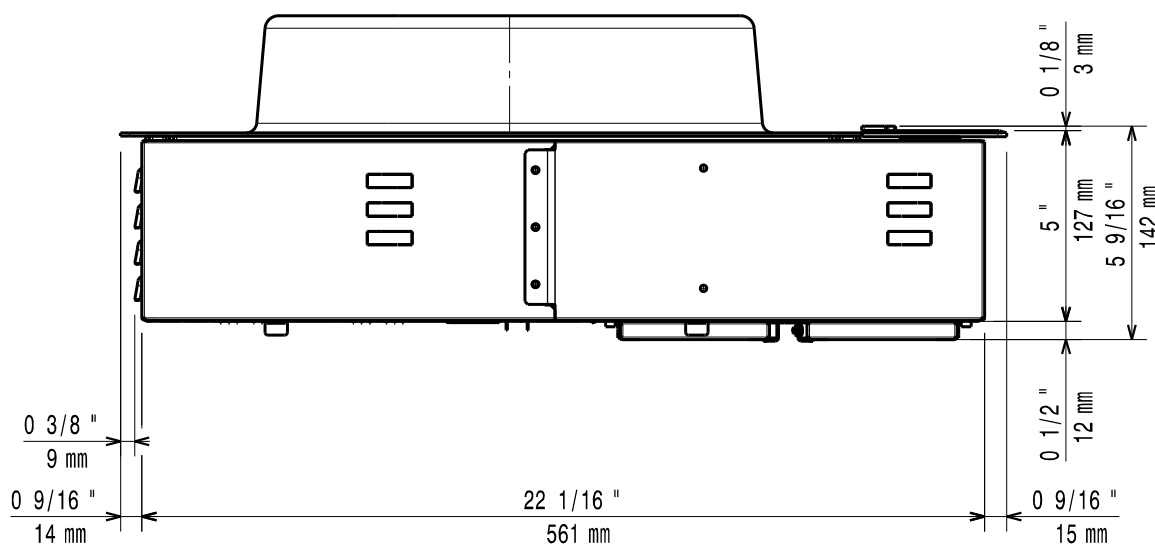
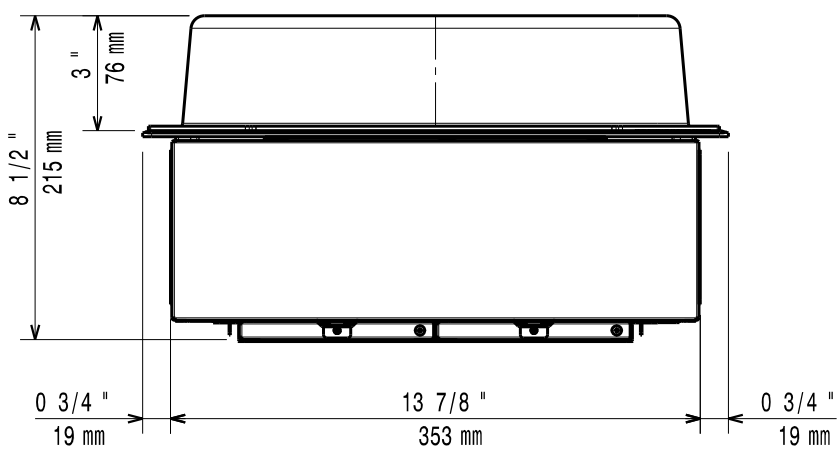
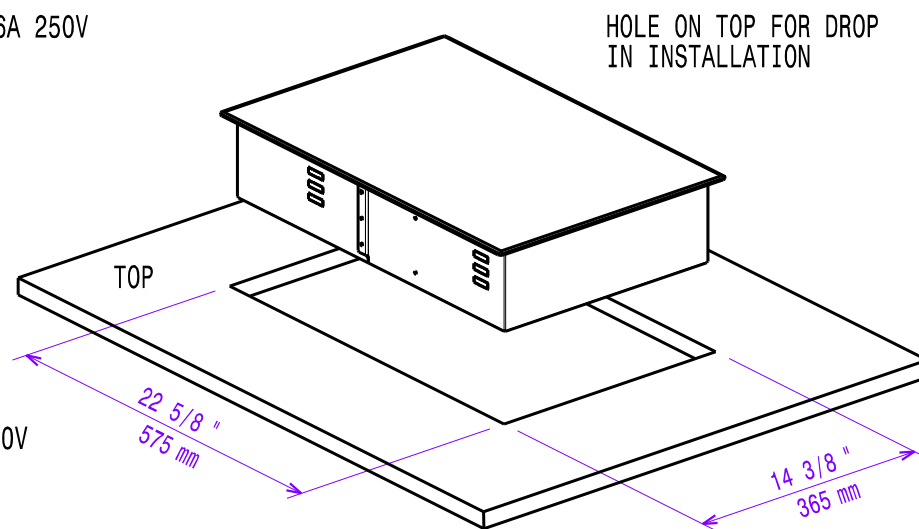


OR

EI



UK PLUG TYPE "G" 13A 250V
1,5 mt CORD LENGHT



ELECTROLUX VERSION

59785X800