

1

2

4

5

A

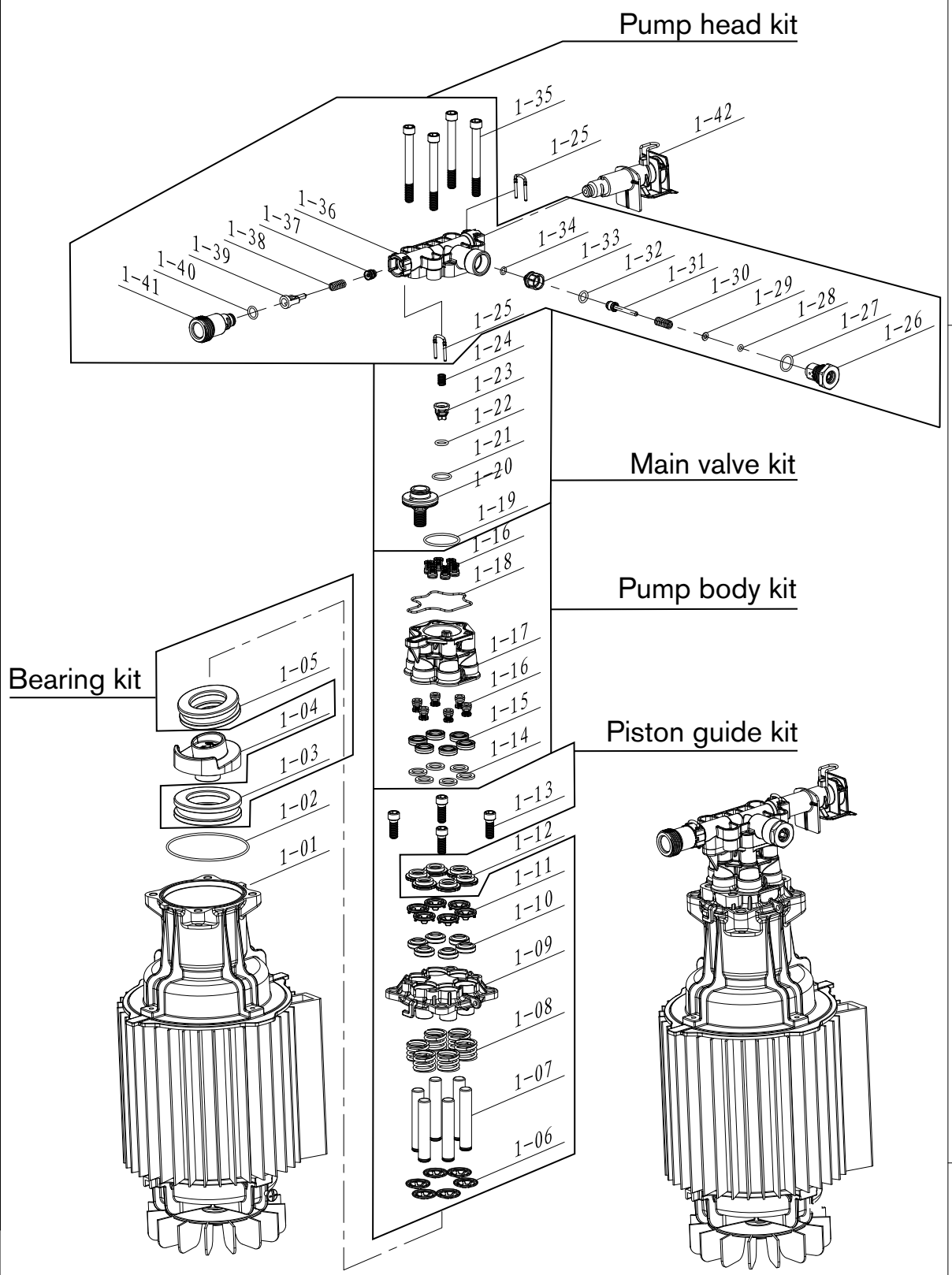
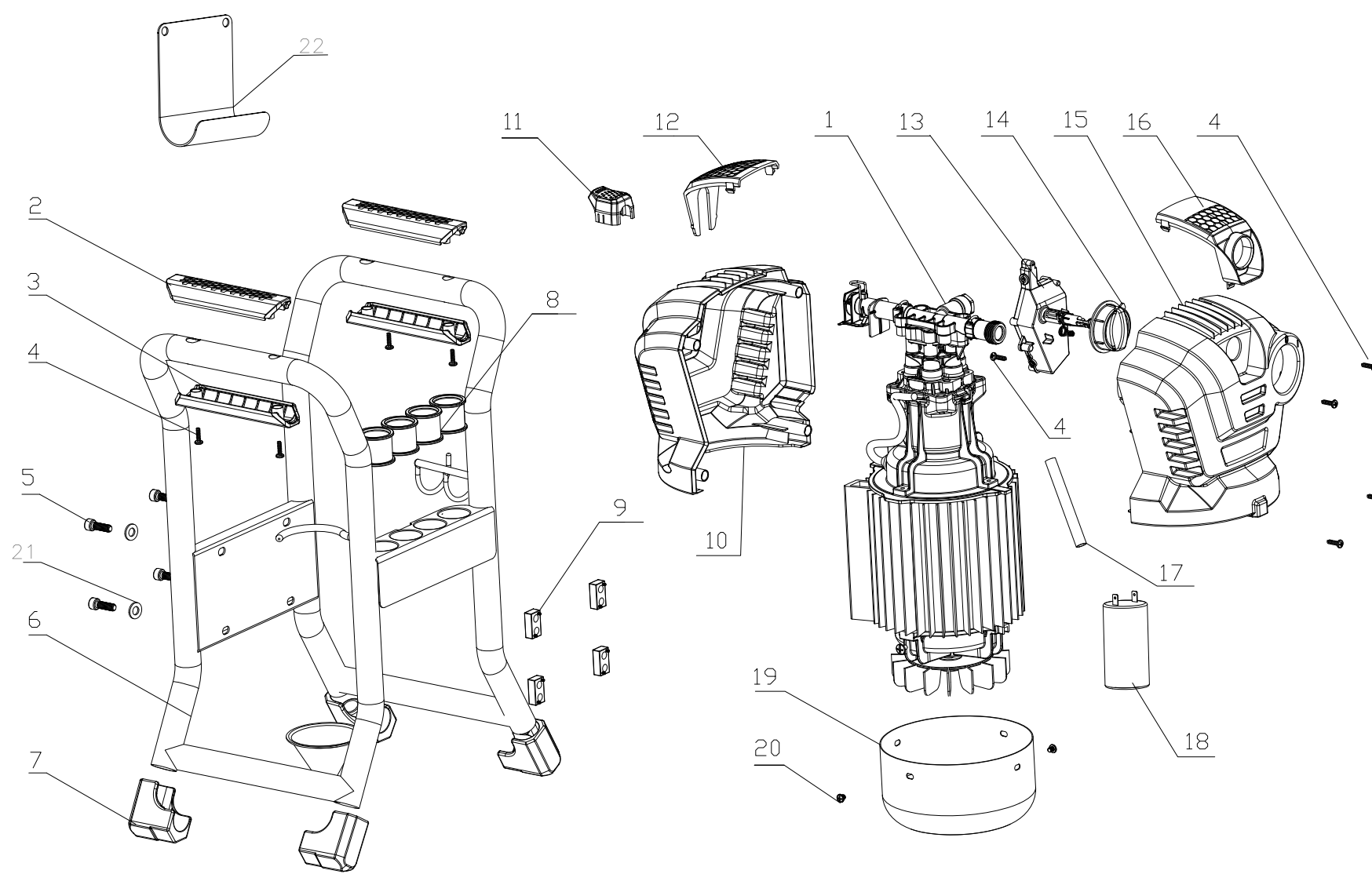
A

B

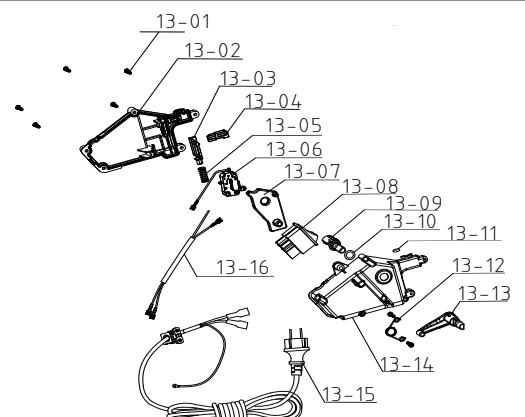
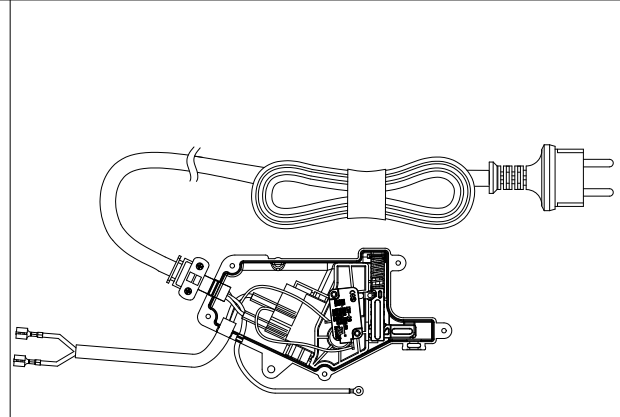
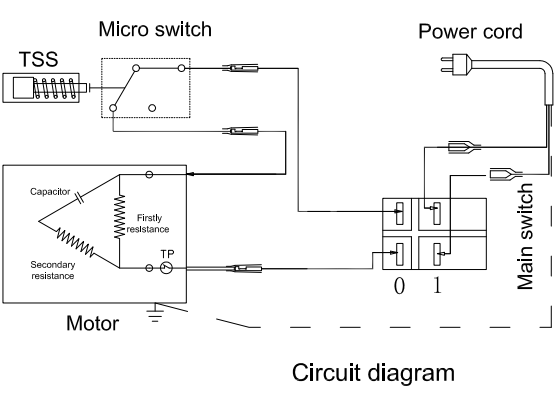
B

C

C



D



**V6 P90**

Rev.	Date
V 1.20	14.03.2023
Note:	
New switch box	

1

2

3

4

5

A3

## V6 P90

Number	Pcs	English name	AVA Part number	Anm	Kit Part number
1-01	1	SF06 3.3kw motor	95-100-397		
1-02	1	O-ring 80*2 NBR80	95-100-369		
1-03	1	Bearing 51208	95-100-368		95-100-463
1-04	1	SF06 P90 wobble plate 6.6°	95-100-470		
1-05	1	Bearing 51207	95-100-366		95-100-463
1-06	6	Piston spring lock	95-100-206		95-100-464
1-07	6	SF06 piston	95-100-365		95-100-464
1-08	6	Piston return spring	95-100-145		95-100-464
1-09	1	SF06 piston guide	95-100-364		95-100-464
1-10	6	Oil sealing (12x20x5.5)	95-100-196		95-100-464
1-11	6	SF06 oil sealing holder	95-100-363		95-100-464
1-12	6	Back up ring for water sealing	95-100-339		
1-13	4	Screw M8*25 (8.8)	95-100-255		95-100-464
1-14	6	Back up washer for water sealing	95-100-338		95-100-465
1-15	6	Water sealing	95-100-193		95-100-465
1-16	12	Water in and outlet valve (9.5mm)	95-100-362		95-100-465
1-17	1	SF06 body pump	95-100-361		95-100-465
1-18	1	SF06 pump body sealing	95-100-360		95-100-465
1-19	1	O-ring 32*2 NBR90	95-100-359		95-100-466
1-20	1	SF06 total valve seat	95-100-468		95-100-466
1-21	1	O-ring 16*1.8 NBR80	95-100-357		95-100-466
1-22	1	O-ring 7.28*1.78 NBR70	95-100-356		95-100-466
1-23	1	Total oneway valve	95-100-355		95-100-466
1-24	1	Total valve spring	95-100-249		95-100-466
1-25	2	U-pin for pump outlet extension	95-100-184		95-100-474
1-26	1	New auto s/s plug	95-100-354		95-100-474
1-27	1	O-ring 12.2*1.9 NBR90	95-100-353		95-100-474
1-28	1	O-ring 3.5*1.8 NBR90	95-100-166		95-100-474
1-29	1	Overflow valve washer	95-100-165		95-100-474
1-30	1	Overflow valve spring	95-100-164		95-100-474
1-31	1	Overflow valve core	95-100-335		95-100-474
1-32	1	O-ring 8.5*2 NBR90	95-100-161		95-100-474
1-33	1	Plastic valve seat (2.2)	95-100-467	No O-ring. Use 95-100-631	95-100-474
1-34	1	O-ring 5*1.5 NBR90	95-100-351		95-100-474
1-35	4	Screw M8*73 (8.8)	95-100-350		95-100-474
1-36	1	SF06 pump head	95-100-349		95-100-474
1-37	1	Easy start valve kit	95-100-331		95-100-474
1-38	1	Easy start valve spring	95-100-330		95-100-474
1-39	1	SF06 easy start valve seat	95-100-348		95-100-474
1-40	1	O-ring 9*1.8 NBR80	95-100-347		95-100-474
1-41	1	V6 water inlet connector	95-100-346		95-100-474
1-42	1	V6-pump outlet connector kit	95-100-345		
1	1	Motor and pump			
2	2	V6-handle up. Back	95-100-371		95-100-382
3	2	V6-handle down, back	95-100-372		95-100-382
4	9	ST4.8-16	95-100-294		95-100-382
5	4	M8*35 screw	95-100-458		95-100-457
6	1	V6-steel frame	95-100-373		95-100-460
7	4	V6-foot, back	95-100-374		95-100-460
8	4	V6-accessary sheath, black	95-100-375		
9	4	Rubber pad for motor	95-100-472		
10	1	V6-rear case	95-100-377		
11	1	Button for pump outlet connector	95-100-228		
12	1	V6-decorative-right	95-100-378		
13	1	New switch box-kit, EU 5m	95-100-398		
13-01	7	Screw ST2.9*12	95-100-218		95-100-398

13-02	1	Switch box housing down V6	95-100-908		95-100-398
13-03	1	Secondary slider	95-100-681		95-100-398
13-04	1	Primary slider	95-100-682		95-100-398
13-05	1	Slider spring	95-100-907		95-100-398
13-06	1	Micro switch w Roller	95-100-679		95-100-398
13-07	1	Switch box lever seat	95-100-906		95-100-398
13-08	1	ON/OFF switch (18A)	95-100-267		95-100-398
13-09	1	MAC-switch-box-shaft	95-100-381		95-100-398
13-10	1	O-ring 8*2 NBR80	95-100-216		95-100-398
13-11	1	O-ring 3.5*1.8 NBR90	95-100-166		95-100-398
13-12	1	Spring	95-100-385		95-100-398
13-13	1	Switch box lever V6	95-100-905		95-100-398
13-14	1	Switch box housing up V6	95-100-904		95-100-398
13-15	1	Cord kit 3*1.5EU	95-100-399		95-100-398
13-16	1	Motor cord 2X16AWG	95-100-387		95-100-398
14	1	Switch knob, AVA green	95-100-388		
15	1	V6-front case	95-100-389		
16	1	V6-decorative-left	95-100-390		
17	1	Heath shrinkable sleeves, Ø 14X120	95-100-391		
18	1	50uF AC450V,50*95	95-100-122		
19	1	Wind cap-175mm, black	95-100-393		95-100-462
20	2	Screw M5X6	95-100-394		95-100-462
21	4	M8 Washer	95-100-459		95-100-457
22	1	Steel wall mount V6	95-100-901		

### AVA V6 P90 Kits

	1	<b>V6 handle kit</b>	<b>95-100-382</b>	<b>Fits V6 P70-90</b>	
2	2	V6-handle up. Back	95-100-371		95-100-382
3	2	V6-handle down, back	95-100-372		95-100-382
4	9	ST4.8-16	95-100-294		95-100-382

	1	<b>V6 handle kit</b>	<b>95-100-457</b>	<b>Fits V6 P70-90</b>	
5	4	M8*35 screw	95-100-458		95-100-457
31	4	M8 Washer	95-100-459		95-100-457

	1	<b>V6 Steel frame kit</b>	<b>95-100-460</b>	<b>Fits V6 P70-90</b>	
6	1	V6-steel frame	95-100-373		95-100-460
7	4	V6-foot, back	95-100-374		95-100-460

	1	<b>V6 Switch Box Kit 1,5cm<sup>2</sup></b>	<b>95-100-398</b>	<b>Fits V6 P70-90</b>	
13-01	7	Screw ST2.9*12	95-100-218		95-100-398
13-02	1	Switch box housing down V6	95-100-908		95-100-398
13-03	1	Secondary slider	95-100-681		95-100-398
13-04	1	Primary slider	95-100-682		95-100-398
13-05	1	Slider spring	95-100-907		95-100-398
13-06	1	Micro switch w Roller	95-100-679		95-100-398
13-07	1	Switch box lever seat	95-100-906		95-100-398
13-08	1	ON/OFF switch (18A)	95-100-267		95-100-398
13-09	1	MAC-switch-box-shaft	95-100-381		95-100-398
13-10	1	O-ring 8*2 NBR80	95-100-216		95-100-398
13-11	1	O-ring 3.5*1.8 NBR90	95-100-166		95-100-398
13-12	1	Spring	95-100-385		95-100-398
13-13	1	Switch box lever V6	95-100-905		95-100-398
13-14	1	Switch box housing up V6	95-100-904		95-100-398
13-15	1	Cord kit 3*1.5EU	95-100-399		95-100-398
13-16	1	Motor cord 2X16AWG	95-100-387		95-100-398

	1	<b>Wind Cap kit 175mm</b>	<b>95-100-462</b>	<b>Fits V6 P70-90</b>	
--	---	---------------------------	-------------------	-----------------------	--

19	1	Wind cap-175mm, black	95-100-393		95-100-462
20	2	Screw M5X6	95-100-394		95-100-462

	<b>1</b>	<b>Bearing kit</b>	<b>95-100-463</b>	<b>Fits V6 P70-90</b>	
1-05	1	Bearing 51207	95-100-366		95-100-463
1-03	1	Bearing 51208	95-100-368		95-100-463

	<b>1</b>	<b>Piston guide kit</b>	<b>95-100-464</b>	<b>Fits V6 P70-90</b>	
1-06	6	Piston spring lock	95-100-206		95-100-464
1-07	6	SF06 piston	95-100-365		95-100-464
1-08	6	Piston return spring	95-100-145		95-100-464
1-09	1	SF06 piston guide	95-100-364		95-100-464
1-10	6	Oil sealing (12x20x5.5)	95-100-196		95-100-464
1-11	6	SF06 oil sealing holder	95-100-363		95-100-464
1-13	4	Screw M8*25 (8.8)	95-100-255		95-100-464

	<b>1</b>	<b>SF06 Pump body kit</b>	<b>95-100-465</b>	<b>Fits V6 P70-90</b>	
1-14	6	Back up washer for water sealing	95-100-338		95-100-465
1-15	6	Water sealing	95-100-193		95-100-465
1-16	12	Water in and outlet valve (9.5mm)	95-100-362		95-100-465
1-17	1	SF06 body pump	95-100-361		95-100-465
1-18	1	SF06 pump body sealing	95-100-360		95-100-465

	<b>1</b>	<b>SF06 Main valve kit</b>	<b>95-100-466</b>	<b>Fits V6 P70-90</b>	
1-19	1	O-ring 32*2 NBR90	95-100-359		95-100-466
1-20	1	SF06 total valve seat	95-100-468		95-100-466
1-21	1	O-ring 16*1.8 NBR80	95-100-357		95-100-466
1-22	1	O-ring 7.28*1.78 NBR70	95-100-356		95-100-466
1-23	1	Total oneway valve	95-100-355		95-100-466
1-24	1	Total valve spring	95-100-249		95-100-466

	<b>1</b>	<b>SF06 pump head kit</b>	<b>95-100-474</b>	<b>Fits V6 P70-90</b>	
1-25	2	U-pin for pump outlet extension	95-100-184		95-100-474
1-26	1	New auto s/s plug	95-100-354		95-100-474
1-27	1	O-ring 12.2*1.9 NBR90	95-100-353		95-100-474
1-28	1	O-ring 3.5*1.8 NBR90	95-100-166		95-100-474
1-29	1	Overflow valve washer	95-100-165		95-100-474
1-30	1	Overflow valve spring	95-100-164		95-100-474
1-31	1	Overflow valve core	95-100-335		95-100-474
1-32	1	O-ring 8.5*2 NBR90	95-100-161		95-100-474
1-33	1	Plastic valve seat (2.2)	95-100-467	No O-ring. Use 95-100-631	95-100-474
1-34	1	O-ring 5*1.5 NBR90	95-100-351		95-100-474
1-35	4	Screw M8*73 (8.8)	95-100-350		95-100-474
1-36	1	SF06 pump head	95-100-349		95-100-474
1-37	1	Easy start valve kit	95-100-331		95-100-474
1-38	1	Easy start valve spring	95-100-330		95-100-474
1-39	1	SF06 easy start valve seat	95-100-348		95-100-474
1-40	1	O-ring 9*1.8 NBR80	95-100-347		95-100-474
1-41	1	V6 water inlet connector	95-100-346		95-100-474