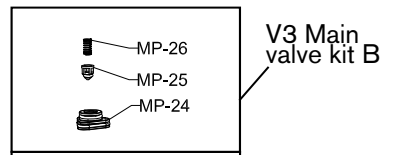
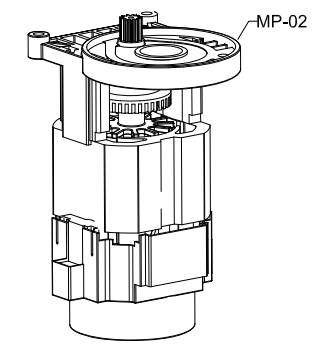
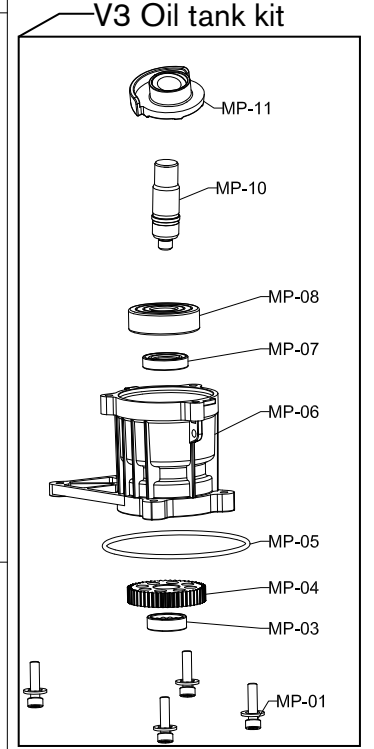
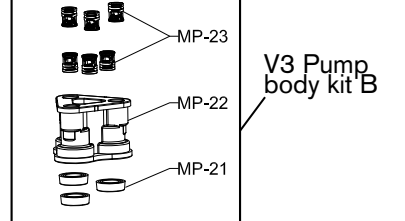


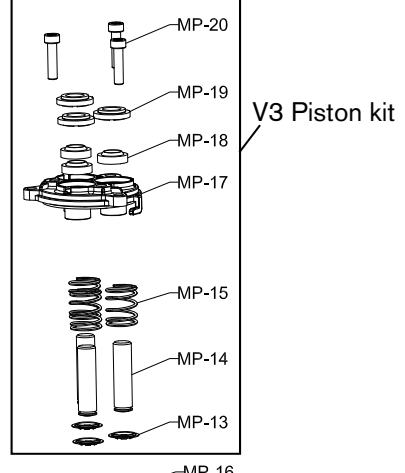
V3 Pump head kit



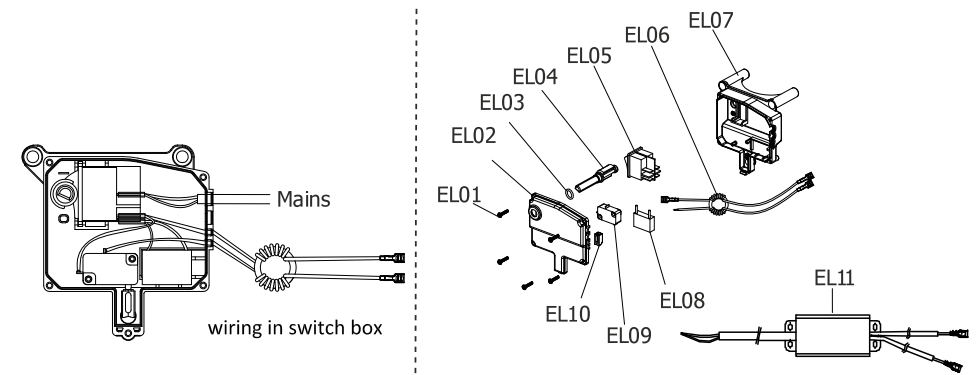
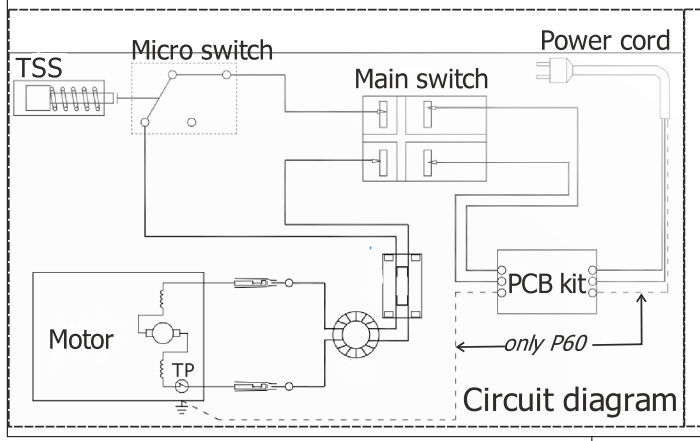
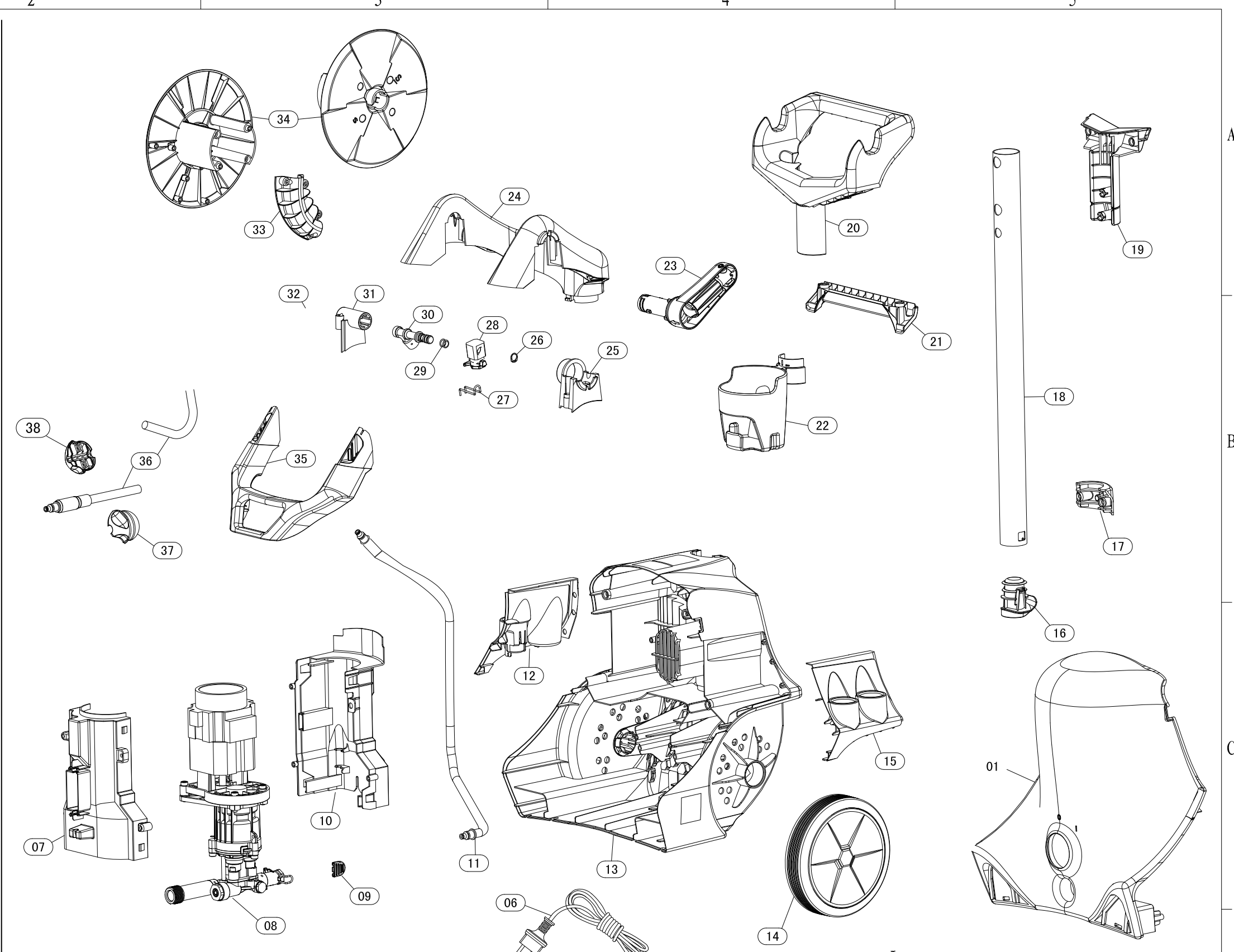
V3 Main valve kit B



V3 Pump body kit B



V3 Piston kit



Rev. **1.50** Date: 0405.2023
 Note: Eco mode removed from serial number 25210001-



Smart P60

Number	Pcs	English name	AVA Part number	Note	Kit Part number
MP-01	4	Screw with gasket M6*25(8.8)	95-100-198		95-100-817
MP-02	1	Motor	95-100-527	Smart P60	
MP-03	1	Bearing 629 (High)	95-100-440	Smart P60/P55	95-100-817
MP-04	1	Gear with 50 teeth	95-100-201		95-100-817
MP-05	1	O-ring (63*2.65 NBR 80)	95-100-202		95-100-817
MP-06	1	Oil tank	95-100-203		95-100-817
MP-07	1	Oil sealing (17*30*7)	95-100-138		95-100-817
MP-08	1	Bearing 6303 High	95-100-528	Smart P60	95-100-817
MP-09	1	Motor filter	95-100-194		95-100-817
MP-10	1	Gear shaft	95-100-141		95-100-817
MP-11	1	Wobble plate 11.2°	95-100-439	Smart P60/P55	95-100-817
MP-12	1	Bearing 51105	95-100-529	Smart P60	
MP-13	3	Piston spring lock	95-100-206		95-100-818
MP-14	3	Piston 12mm	95-100-207		95-100-818
MP-15	3	Piston return spring	95-100-145		95-100-818
MP-16	1	O-ring (61.5*2 NBR 80)	95-100-147		
MP-17	1	Piston guide	95-100-197		95-100-818
MP-18	3	Oil sealing (12*20*5.5)	95-100-196		95-100-818
MP-19	3	Back up ring water sealing	95-100-530	Smart P60	95-100-818
MP-20	3	Screw M6*20(8.8)	95-100-149		95-100-818
MP-21	3	Water sealing(12*19*5.5)	95-100-193		95-100-578
MP-22	1	V3 Pump body	95-100-492		95-100-578
MP-23	6	Water in and outlet valve (9.5mm)	95-100-362		95-100-578
MP-24	1	Outlet one way valve housing kit ;red	95-100-154		95-100-454
MP-25	1	SF03 Outlet one way valve kit;	95-100-155		95-100-454
MP-26	1	Outlet one way valve spring;Φ5.3*9	95-100-156		95-100-454
MP-27	1	Big triangle NBR90	95-100-157		95-100-686
MP-28	1	PLug for injector hole kit	95-100-188		95-100-686
MP-29	1	Auto s/s plug kit	95-100-167	To serial no. Xxxxxx	95-100-686
MP-30	1	O-ring (3.5*1.8 NBR 90)	95-100-166		95-100-686
MP-31	1	Overflow washer plastic	95-100-165		95-100-686
MP-32	1	Auto s/s spring	95-100-164		95-100-686
MP-33	1	Overflow washer	95-100-163		95-100-686
MP-34	1	Auto s/s valve	95-100-162		95-100-686
MP-35	1	O-ring (8.5*2 NBR 90)	95-100-161		95-100-686
MP-36	1	Auto s/s front valve seat kit	95-100-531	Smart P60	95-100-686
MP-37	1	Pump head(10mm)	95-100-185	To serial no. Xxxxxx	95-100-686
MP-38	1	U-pin for pump outlet extension	95-100-184		95-100-686
MP-39	1	Inlet extension kit	95-100-183		95-100-686
MP-40	1	U-pin for pump inlet connector	95-100-186		95-100-686
MP-41	3	Screw M6*60(8.8)	95-100-232		95-100-686
MP-42	1	Quick connector kit	95-100-493		
MP-43	1	Pump head External thread	95-100-821	From serial no. Xxxxxx	95-100-822
MP-44	1	2022 Auto plug sleeve	95-100-819	From serial no. Xxxxxx	95-100-822
MP-45	1	O-ring (12.2*1.9 NBR 90)	95-100-353	From serial no. Xxxxxx	95-100-822
MP-46	1	2022 Auto plug	95-100-820	From serial no. Xxxxxx	95-100-822
EL01	5	Screw ST2. 9*12	95-100-218		95-100-536
EL02	1	AQT33-10 switch box up case	95-100-217		95-100-536
EL03	1	O-ring (8*2 NBR 60)	95-100-216		95-100-536
EL04	1	WS-switch-box-shaft	95-100-215		95-100-536
EL05	1	ON/OFF switch	95-100-214		95-100-536
EL06	1	motor wires with inductor	95-100-838		95-100-536
EL07	1	AQT33-10 switch box down case	95-100-212		95-100-536
EL08	1	Capacitor 0.33uF	95-100-210		95-100-536
EL09	1	Micro switch	95-100-268		95-100-536
EL10	1	Slider	95-100-208		95-100-536

EL11	1	Current Control System 230V/50Hz	95-100-839		95-100-536
01	1	Smart Front_Case P60	95-100-532	AVA Smart P60	
02	1	Smart Front_StepUp-L	95-100-496		
03	1	Smart Front_StepUp-R	95-100-497		
04	1	Smart Switch_Knob;	95-100-498	AVA Smart	
05	1	New Switch Box-02; With soft start;	95-100-536	Smart P60	
06	1	Power cord	95-100-537	Smart P60	
07	1	MOTOR_COVER-FC	95-100-502		
08	1	SMART Motor Pump Kit			
09	1	Cover for quick connector spring	95-100-174	AVA Smart	
10	1	MOTOR_COVER-BC	95-100-504		
11	1	Smart Machine HP hose $\phi 12*620$	95-100-505	AVA Smart	
12	1	Smart BC_Gun_Holder	95-100-507		
13	1	Smart Back_Case	95-100-508		
14	2	Smart Wheel_Kit	95-100-509		
15	1	Smart BC_Nozzle_Holder	95-100-510		
16	1	Smart BC_Tube_End	95-100-511		
17	1	Smart BC_Tube_Cover	95-100-512		
18	1	Smart Handle_Tube	95-100-513		
19	1	Smart Handle_Back	95-100-514		
20	1	Smart Handle_Front	95-100-515		
21	1	Smart Handle_Cover	95-100-516		
22	1	Smart Bottle_Holder	95-100-517		
23	1	AVA reel crank kit	95-100-403	AVA Smart	
24	1	Smart Reel_Holder	95-100-519		
25	1	Smart Holder_Insert-Right	95-100-520		
26	1	C-clip	95-100-295	Replaced by 95-100-485	95-100-727
27	1	Quick connector Spring	95-100-158		
28	1	Square head quick connector	95-100-521		
29	2	O-ring (8.5*2 NBR 90)	95-100-161		95-100-727
30	1	Swivel for hose reel	95-100-477		95-100-727
31	1	Smart Holder_Insert-Left	95-100-522		
32	1	U-pin for outlet connector	95-100-296		
33	1	AVA reel wheel hose cover-new	95-100-523		
34	2	AVA reel wheel	95-100-291		
35	1	Smart Hose_Guide	95-100-524		
36	1	AVA steel hose(quick connector)	95-100-538	AVA Smart P60/P55	
36.4	1	AVA steel hose(quick connector)	95-100-540	AVA Smart P60 Mega	
37	1	AVA hose holder ball-1	95-100-285		
38	1	AVA hose holder ball-2	95-100-284		
	13	Screw ST4.8*16	95-100-294		

Smart P60 Kits

	1	V3 Smart P60 oil tank kit	95-100-817	Fits Smart P60	
MP-01	4	Screw with gasket M6*25(8.8)	95-100-198		95-100-817
MP-03	1	Bearing 629 (High)	95-100-440	Smart P60/P55	95-100-817
MP-04	1	Gear with 50 teeth	95-100-201		95-100-817
MP-05	1	O-ring 63*2.65 NBR80	95-100-202		95-100-817
MP-06	1	Oil tank	95-100-203		95-100-817
MP-07	1	Oil sealing (17*30*7)	95-100-138		95-100-817
MP-08	1	Bearing 6303 High	95-100-528	Smart P60	95-100-817
MP-09	1	Motor filter	95-100-194		95-100-817
MP-10	1	Gear shaft	95-100-141		95-100-817
MP-11	1	Wobble plate 11.2°	95-100-439	Smart P60/P55	95-100-817

	1	V3 P60 piston kit	95-100-818	Fits Smart P60	
MP-13	3	Piston spring lock	95-100-206		95-100-818
MP-14	3	Piston 12mm	95-100-207		95-100-818

MP-15	3	Piston return spring	95-100-145		95-100-818
MP-17	1	Piston guide	95-100-197		95-100-818
MP-18	3	Oil sealing (12*20*5.5)	95-100-196		95-100-818
MP-19	3	Back up ring water sealing	95-100-530	Smart P60	95-100-818
MP-20	3	Screw M6*20(8.8)	95-100-149		95-100-818

1		V3 Pump body kit B	95-100-578	Fits Smart P50-55-60	
MP-21	3	Water sealing(12*19*5.5)	95-100-193	Can be replaced w. 95-100-438 in combination w 95-100-433	95-100-578
MP-22	1	V3 Pump body	95-100-492	Can be replaced w. 95-100-438 in combination w 95-100-433	95-100-578
MP-23	6	Water in and outlet valve (9.5mm)	95-100-362	Can be replaced w. 95-100-438 in combination w 95-100-433	95-100-578

1		V3 Main valve kit B	95-100-454	Fits Smart P50-55	
MP-24	1	Outlet one way valve housing kit ;red	95-100-154	Can be replaced w. 95-100-433 in combination w 95-100-438	95-100-454
MP-25	1	SF03 Outlet one way valve kit;	95-100-155	Can be replaced w. 95-100-433 in combination w 95-100-438	95-100-454
MP-26	1	Outlet one way valve spring;Φ5.3*9	95-100-156	Can be replaced w. 95-100-433 in combination w 95-100-438	95-100-454

1		V3 P60 Pump head kit	95-100-686	Fits Smart P60	
MP-27	1	Big triangle NBR90	95-100-157		95-100-686
MP-28	1	PLug for injector hole kit	95-100-188		95-100-686
MP-29	1	Auto s/s plug kit	95-100-167		95-100-686
MP-30	1	O-ring 3.5*1.8 NBR90	95-100-166		95-100-686
MP-31	1	Overflow washer plastic	95-100-165		95-100-686
MP-32	1	Auto s/s spring	95-100-164		95-100-686
MP-33	1	Overflow washer	95-100-163		95-100-686
MP-34	1	Auto s/s valve	95-100-162		95-100-686
MP-35	1	O-ring (8.5*2 NBR 90)	95-100-161		95-100-686
MP-36	1	Auto s/s front valve seat kit	95-100-531	Only for Smart P60	95-100-686
MP-37	1	Pump head(10mm)	95-100-185		95-100-686
MP-38	1	U-pin for pump outlet extension	95-100-184		95-100-686
MP-39	1	Inlet extension kit	95-100-183		95-100-686
MP-40	1	U-pin for pump inlet connector	95-100-186		95-100-686
MP-41	3	Screw M6*60(8.8)	95-100-232		95-100-686

1		V3 P60 pump head kit Ver.2	95-100-824	Fits Smart P60	
MP-27	1	Big triangle NBR90	95-100-157		95-100-824
MP-28	1	PLug for injector hole kit	95-100-188		95-100-824
MP-36	1	Auto s/s front valve seat kit	95-100-531	Only for Smart P60	95-100-824
MP-35	1	O-ring (8.5*2 NBR 90)	95-100-161		95-100-824
MP-31	1	Overflow washer plastic	95-100-165		95-100-824
MP-34	1	Auto s/s valve	95-100-162		95-100-824
MP-33	1	Overflow washer	95-100-163		95-100-824
MP-30	1	O-ring 3.5*1.8 NBR90	95-100-166		95-100-824
MP-32	1	Auto s/s spring	95-100-164		95-100-824
MP-40	1	U-pin for pump inlet connector	95-100-186		95-100-824
MP-38	1	U-pin for pump outlet extension	95-100-184		95-100-824
MP-39	1	Inlet extension kit	95-100-183		95-100-824
MP-41	3	Screw M6*60(8.8)	95-100-232		95-100-824
MP-43	1	2022 Auto plug sleeve	95-100-819	From serial no. Xxxxxx	95-100-824
MP-44	1	O-ring (12.2*1.9 NBR 90)	95-100-353	From serial no. Xxxxxx	95-100-824
MP-45	1	2022 Auto plug	95-100-820	From serial no. Xxxxxx	95-100-824
MP-46	1	Pump head External thread	95-100-821	From serial no. Xxxxxx	95-100-824

New Switch Box-02; With soft start;			95-100-536	Fits Smart P60
EL01	5	Screw ST2. 9*12	95-100-218	95-100-536
EL02	1	AQT33-10 switch box up case	95-100-217	95-100-536
EL03	1	O-ring (8*2 NBR 60)	95-100-216	95-100-536
EL04	1	WS-switch-box-shaft	95-100-215	95-100-536
EL05	1	ON/OFF switch	95-100-214	95-100-536
EL06	1	motor wires with inductor	95-100-838	95-100-536
EL07	1	AQT33-10 switch box down case	95-100-212	95-100-536
EL08	1	Capacitor 0.33uF	95-100-210	95-100-536
EL09	1	Micro switch	95-100-268	95-100-536
EL10	1	Slider	95-100-208	95-100-536
EL11	1	Current Control System 230V/50Hz	95-100-839	95-100-536

1 Master/Smart swivel kit			95-100-727	Fits Master and Smart
29	2	O-ring (8.5*2 NBR 90)	95-100-161	95-100-727
30	1	Swivel for hose reel	95-100-477	95-100-727
26	1	E-clip 10mm (Substitute for C-clip on hose reel)	95-100-485	95-100-727